

# NON-AMPLIFIED PHOTODETECTOR USER'S GUIDE

Thank you for purchasing your Non-amplified Photodetector. This user's guide will help answer any questions you may have regarding the safe use and optimal operation of your Non-amplified Photodetector.

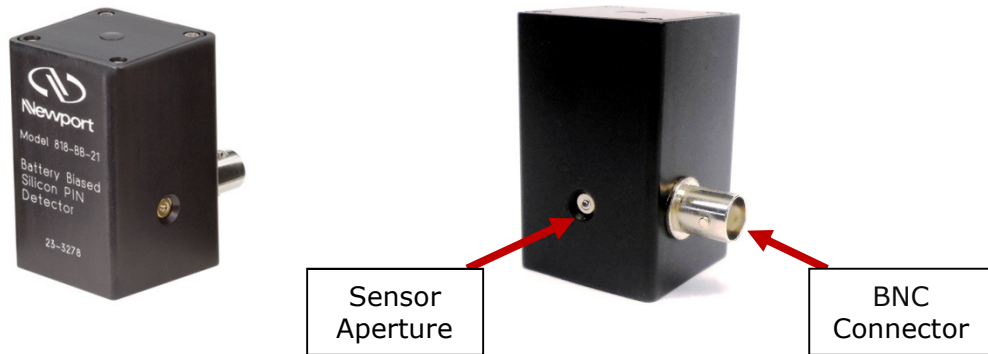
## TABLE OF CONTENTS

I. Non-amplified Photodetector Overview.....	1
II. Operation of your Non-amplified Photodetector.....	1
III. Troubleshooting.....	2
IV. Drawings: Non-amplified Photodetectors.....	3
V. Specifications: Non-amplified Photodetectors.....	4
VI. Schematics: Non-amplified Photodetectors.....	5
VII. Glossary of Terms.....	5

### I. Non-amplified Photodetector Overview

The Non-amplified Photodetectors contain PIN photodiodes that utilize the photovoltaic effect to convert optical power into an electrical current. Figure 1 below identifies the main elements of your Non-amplified Photodetector.

**Figure 1: Non-amplified Photodetector**



When terminated into 50Ω into an oscilloscope, the pulsewidth of a laser can be measured. When terminated into a spectrum analyzer, the frequency response of a laser can be measured.

### II. Operation of your Non-amplified Photodetector

- A. Caution: Eye safety precautions must be followed when utilizing any equipment used in the vicinity of laser beams. Laser beams may reflect from the surface of the detector or the optical mount and caution must be exercised.
- B. Mount the detector to an optical stand by the mounting holes on the bottom of the detector housing.
- C. Adjust the voltage of the oscilloscope to 100mV/division before connecting the detector. On models with >3V bias supply, the signal may be large enough to damage the oscilloscope if this is not done.

- D. Connect the detector to the oscilloscope using a  $50\Omega$  coaxial cable that one meter or less.
- E. Use the  $50\Omega$  termination input of the oscilloscope. If the oscilloscope does not have a  $50\Omega$  input, connect the coaxial cable to a  $50\Omega$  terminator and connect this to the oscilloscope's  $1M\Omega$  input.
- F. After being certain that the damage threshold of the detector is not exceeded, place the detector in the center of the laser beam.

### III. Troubleshooting

#### A. No signal is seen the first time the detector is used.

- 1. Be certain that the signal is not high off scale on the oscilloscope.
- 2. Is the wavelength of the laser within the spectral range of the detector?
- 3. Has a  $50\Omega$  termination input been used?
- 4. Try moving the detector within the laser beam.
- 5. Is there enough light (see sensitivity spec on the data sheet) incident on the detector to generate a signal?

#### B. A signal has been previously obtained, but not currently.

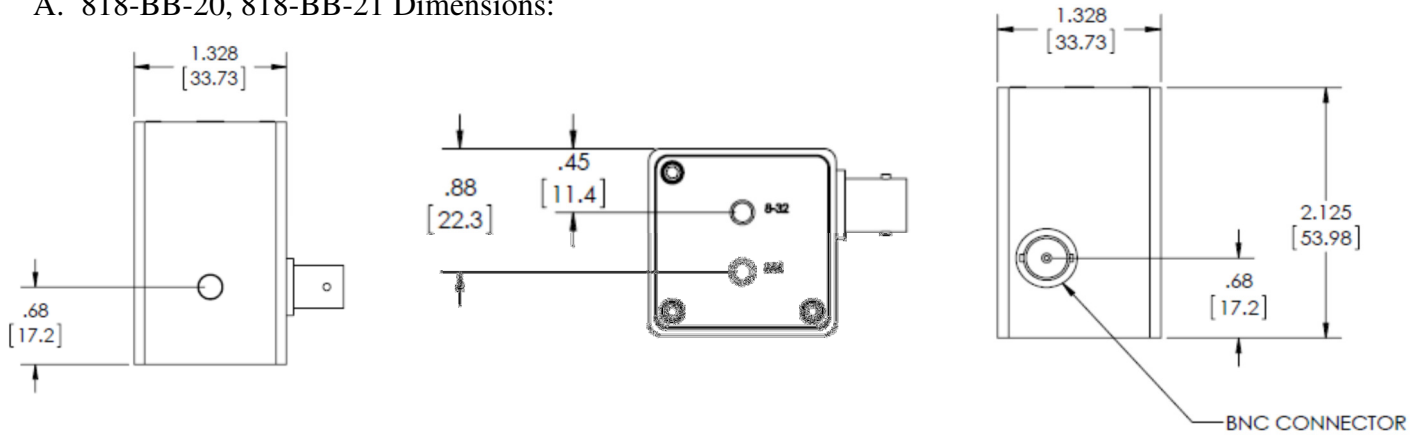
- 1. Try steps listed under A.
- 2. Inspect the active area of the photodiode for any signs of damage.
- 3. Try a higher input termination on the oscilloscope, but remember to return to  $50\Omega$  if this does not work.
- 4. Test the power supply:
  - a. Units with internal batteries will typically operate for several years, but operation with CW or high rep rate lasers can drain the batteries much faster. **If a load is present at the output, current will be drawn from the batteries, so disconnect the BNC when not in use.** Remove top cover to replace the 3V lithium cells with Duracell Model DL2430, positive side down.
  - b. Units with an external power supply should at least receive the voltage that is printed on the plug.
- 5. You can terminate the detector in  $1M\Omega$  input of an oscilloscope to obtain a higher output voltage signal but this will decrease the detector's bandwidth by a factor of  $5 \times 10^{-5}$ .

#### C. Increasing the power incident on the detector does not result in a higher voltage signal on the oscilloscope:

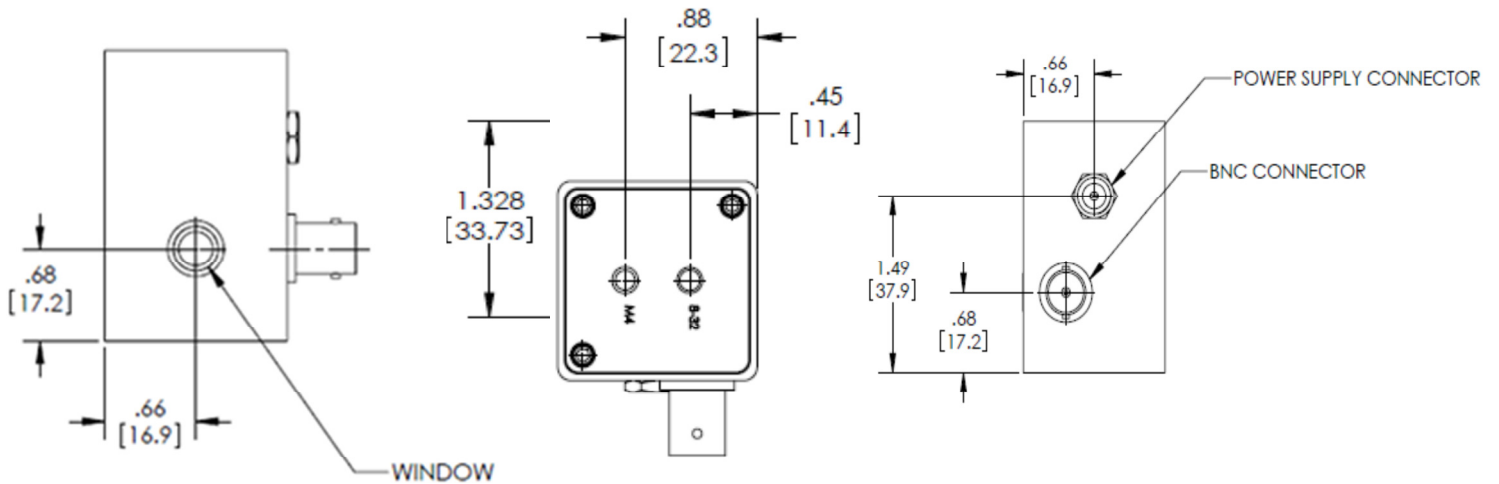
- 1. The detector is probably saturated. You should lower the power incident on the detector to a level below the saturation point.

#### IV. Drawings: Non-amplified Photodetectors

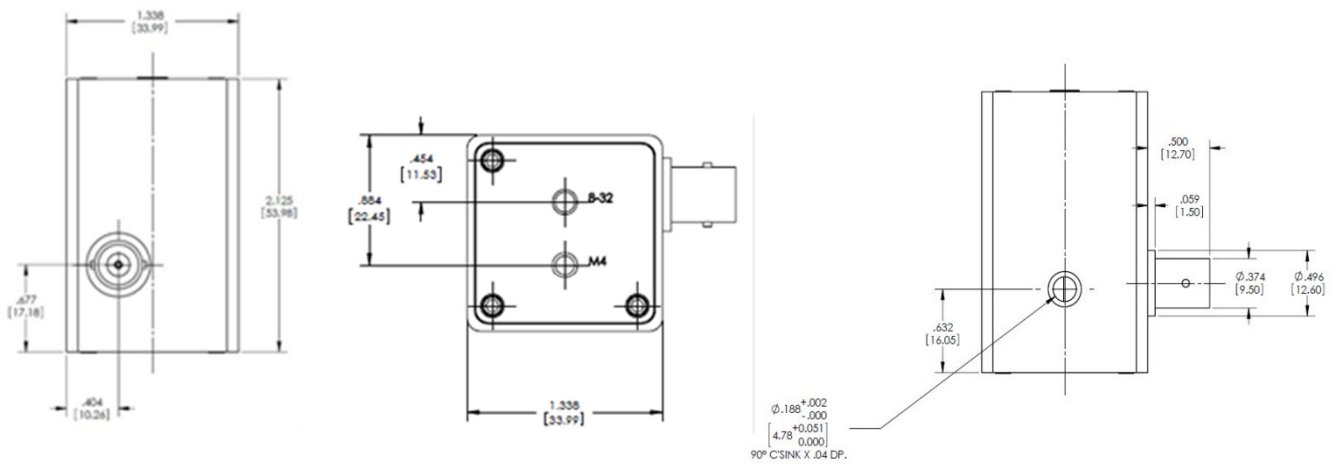
##### A. 818-BB-20, 818-BB-21 Dimensions:



##### B. 818-BB-22, 818-BB-40 Dimensions:



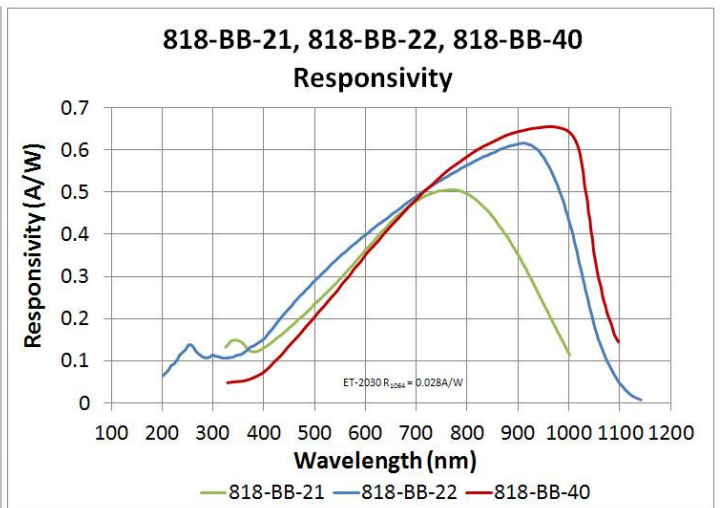
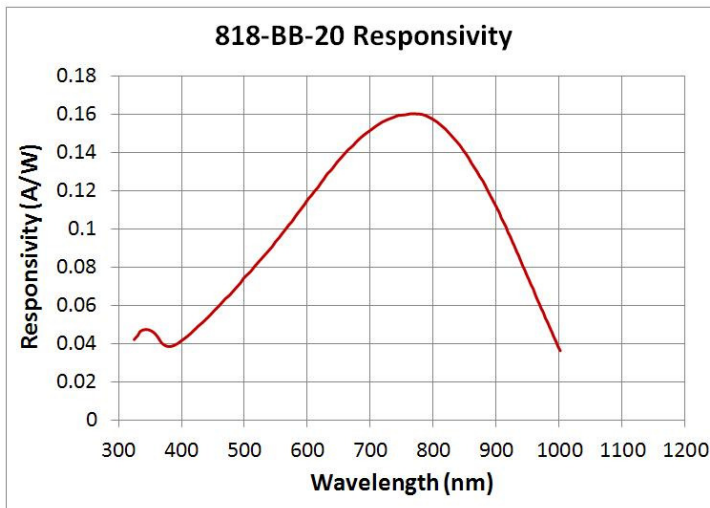
##### C. 818-BB-30, 818-BB-31 Dimensions:



## V. Specifications: Non-amplified Photodetectors

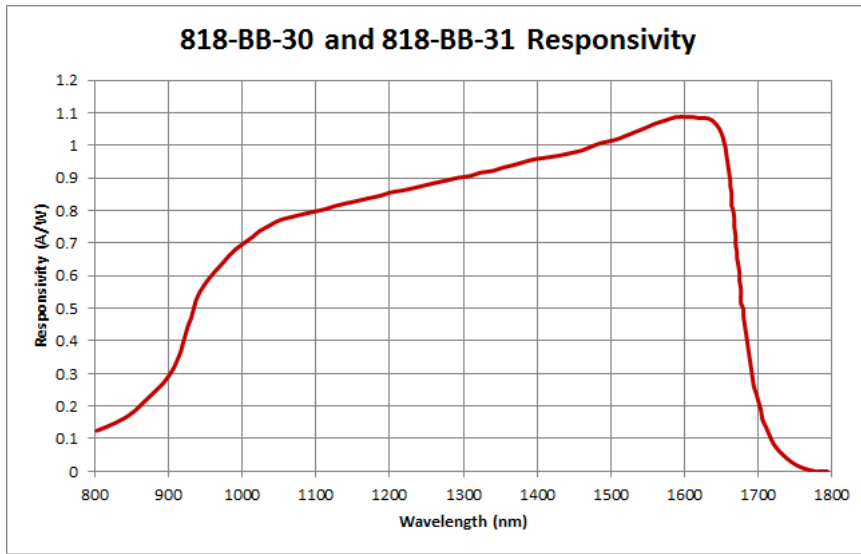
### A. Biased Silicon Photodetectors:

Part No. (Model)	818-BB-20	818-BB-22	818-BB-21	818-BB-40
Rise Time/Fall Time	<350ps/<350ps	<1.5ns/<1.5ns	<300ps/<300ps	<30ns/<30ns
Responsivity at 830nm	0.12mA/W	0.6A/W	0.47A/W	0.6A/W
Power Supply (VDC)	3	24	9	24
Spectral Range (nm)	350-1100	200-1100	350-1100	350-1100
Bandwidth	>1.0GHz	>200MHz	>1.2GHz	>25MHz
Active Area Diameter	110 $\mu$ m x 55 $\mu$ m	2.55mm	0.4mm	4.57mm
Dark Current (nA)	<0.11	<10	<0.1	<10
Acceptance Angle (1/2 angle)	20 $^{\circ}$	50 $^{\circ}$	30 $^{\circ}$	60 $^{\circ}$
Noise Equivalent Power (pW/ $\sqrt$ Hz)	<0.15	<0.09	<0.01	<0.09
Maximum Linear Rating	CW current: 20mA Energy per 10ns pulse: 20uJ	CW current: 2.5mA Pulse current: 15mA	CW current: 3mA Pulse current: 3mA	CW current: 2mA Optical input: 3mW
Mounting (Tapped Holes)	8-32 or M4	8-32 or M4	8-32 or M4	8-32 or M4
Output Connector	BNC	BNC	BNC	BNC

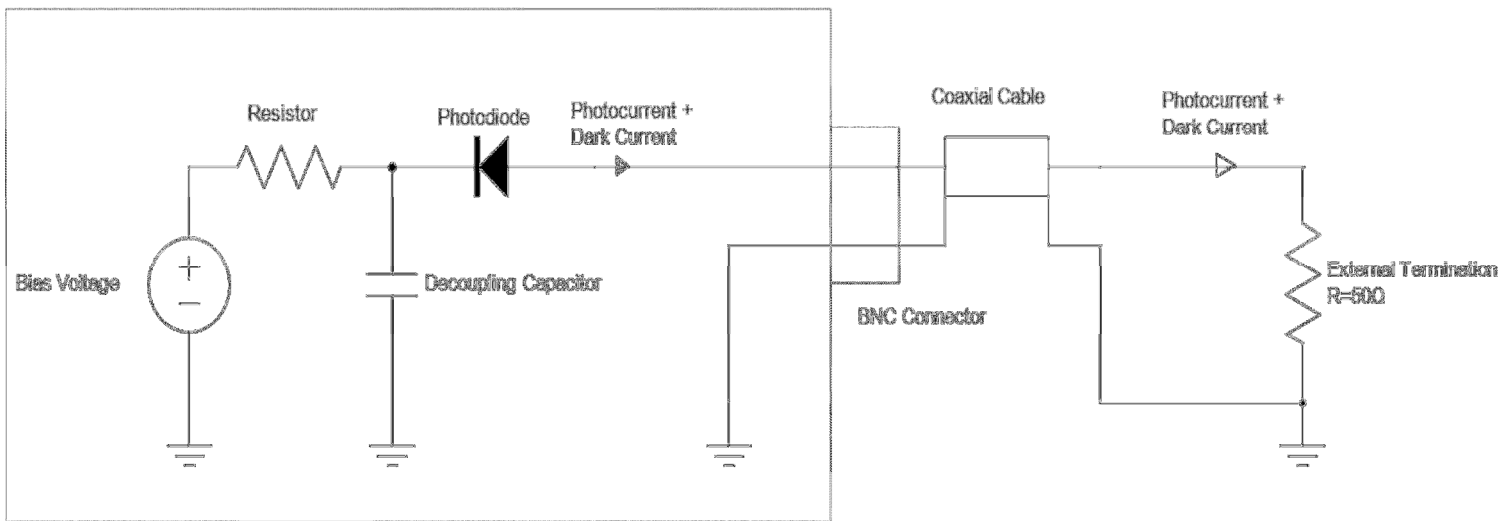


### B. Biased InGaAs Photodetectors:

Part No. (Model)	818-BB-30	818-BB-31
Rise Time/Fall Time	<175ps/<175ps	<225ps/<225ps
Responsivity at 1300nm (A/W)	0.9	0.9
Power Supply (VDC)	6	6
Spectral Range (nm)	800-1750	800-1750
Bandwidth	>2GHz	>2GHz
Active Area Diameter	100 $\mu$ m	100 $\mu$ m
Dark Current (nA)	<2.0	<3.0
Acceptance Angle (1/2 angle)	20 $^{\circ}$	N/A
Noise Equivalent Power (pW/ $\sqrt$ Hz)	<0.03	<0.03
Maximum Linear Rating	CW current: 5mA	CW current: 5mA
Mounting (Tapped Holes)	8-32 or M4	8-32 or M4
Output Connector	BNC	BNC



## VI. Schematics: Non-amplified Photodetectors



## VII. Glossary of Terms

**Bandwidth:** The range of frequencies from 0Hz (DC) to the frequency at which the amplitude decreases by 3dB. Bandwidth and rise time can be approximately related by the equation:  
 $\text{Bandwidth} \approx 0.35/\text{rise time}$  for a Gaussian pulse input.

**Bias Voltage:** The photodiode's junction capacitance can be modified by applying a reverse voltage. The bias voltage reduces the junction capacitance, which causes the photodiode to have a faster response.

**BNC Connector:** Used to connect the customer's coaxial cable.

**Dark Current:** When a termination is present, a dark current (nA range) will flow if the photodiode is biased. Disconnecting the coaxial cable will prevent this current from flowing.

**Decoupling Capacitor:** Maintains bias voltage when fast pulses cause the battery voltage to reduce (this would slow the response time of the photodiode); the capacitor allows the battery to recover to its initial voltage. It also acts as a filter for external power supplies.

**Noise Equivalent Power (NEP):** A function of responsivity and dark current and is the minimum optical power needed for an output signal to noise ratio of 1. Dark current is the current that flows through a reverse biased photodiode even when light is not present, and is typically on the order of nA. Shot noise ( $I_{shot}$ ) is a source of noise generated in part by dark current; in the case of reversed biased diodes it is the dominant contributor. NEP is calculated from shot noise and responsivity. For example, for a responsivity @ 830nm = 0.5 A/W:

$$Shot\_Noise = \sqrt{2qI_d} = \sqrt{2(1.6 \times 10^{-19} As)(20 \times 10^{-9} A)} = 0.08 pA \sqrt{s} = 0.08 pA / \sqrt{Hz}$$

$$NEP = I_{shot} / R_{830nm} = \frac{0.08 pA}{\sqrt{Hz}} * \frac{W}{0.5A} = 0.16 pW / \sqrt{Hz}$$

q = charge on an electron

**Photodiode:** Converts photons into a photocurrent.

**Resistor:** Protects the photodiode from excessive current. This could occur if an external power supply was too high in voltage, or if its polarity were reversed; this happens when a customer uses their own power supply.

**Responsivity:** In amps per watt (A/W), responsivity is the current output of the photodiode for a given input power, and is determined by the diode structure. Responsivity varies with wavelength and diode material.

**Rise Time/Fall Time:** Rise Time is the time taken by a signal to change from a specified low value to a specified high value. Fall Time is the time taken for the amplitude of a pulse to decrease from a specified value to another specified value. A larger junction capacitance will slow the detector's response time.